

# VAC-PAC Combos

Now, our most popular components in four convenient packages,  
Combo Packages include the three basic system components, Plus a **Free** muffler.  
... Just add a funnel assembly for your machine to complete the system.

**NEW !!**

## 1000 Series Chain & Waste Removal Packages - includes A FREE MUFFLER

### Vac-Pac #TBV-1000

#### Chain & Waste Removal Package.

...just add a funnel, sold separately - see next pages.

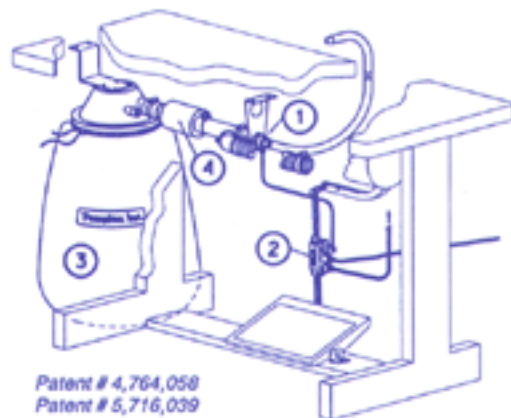
TBV-400 UT 1½" Chain & Waste Vacuum Assembly  
TBV-100LT Lite-Touch **Toe action** Treadle Switch  
TBV-190 UT Waste Bag Unit, 12 gal. Capacity  
MSB150 1½" Muffler - Free

### Vac-Pac #TBV-1010

#### Chain & Waste Removal Package with foot-lift activation

...just add a funnel, sold separately - see next pages.

TBV-400 UT 1½" Chain & Waste Vacuum Assembly  
TBV-110LT Lite-Touch **Toe & Heel action** Treadle Switch  
TBV-190 UT Waste Bag Unit, 12 gal. Capacity  
MSB150 1½" Muffler - Free



## 4000 Series Chain & Waste Removal Package - includes A FREE MUFFLER

### Vac-Pac #TBV-4000M

#### Chain & Waste Removal Package.

...just add a funnel, sold separately - see next pages.

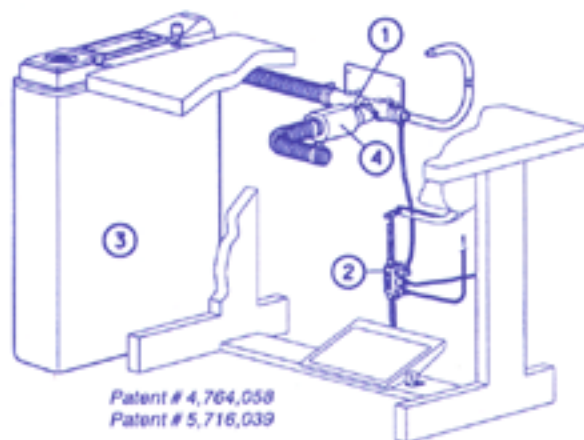
TBV-400 1½" Chain & Waste Vacuum Assembly  
TBV-100LT Lite-Touch **Toe action** Treadle Switch  
TBV-180 Waste Bag Unit, 20 gal. Capacity  
MSB150 1½" Muffler - Free

### Vac-Pac #TBV-4001M

#### Chain & Waste Removal Package with foot-lift activation

...just add a funnel, sold separately - see next pages.

TBV-400 1½" Chain & Waste Vacuum Assembly  
TBV-110LT Lite-Touch **Toe & Heel action** Treadle Switch  
TBV-180 Waste Bag Unit, 20 gal. Capacity  
MSB150 1½" Muffler - Free



- LOWER PRICE
- LOWER FREIGHT COST
- EASIER TO ORDER
- FEWER COMPONENTS TO ORDER
- FEWER COMPONENTS TO STOCK
- EASIER TO INSTALL

#### Packages Contain:

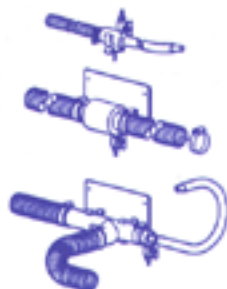
- 1) VACUUM ASSEMBLY for Chain, Waste & Lint or Waste & Lint only applications for fabric waste up to 1¼" (32mm) wide. Can be used on machines without a chain cutter or with any type of chain cutter. Order 1" or 1½" Waste Funnel separately, see next page.
- 2) TREADLE SWITCH activates compressed air for waste removal only while the machine is sewing. Can be used with any clutch or electronic motor. TBV-1010 & TBV-4001M include an additional heel action valve to activate a pneumatic foot lift mechanism.
- 3) BAG UNIT with reusable filter bag. TBV-180 can be mounted on either end of tabletop. TBV-190 is extremely versatile & can be mounted almost anywhere under the tabletop.
- 4) MUFFLER reduces sound level up to 50%.

## Templex Compressed Air Operated Waste Removal Products: Systems & Components

Templex Waste Removal Systems utilize compressed air to create vacuum. Systems are available for use on all types of sewing machines and applications. Selecting a system for your application is as easy as 1-2-3. Each system consists of a Waste Funnel and Vacuum Unit for waste removal, an Air Activation Switch to start and operate the system, and a Waste Collection Container to receive and store waste. Also see our Vac-Pac combo's.



Waste Funnels



Vacuum Units



Air activation switches



Waste Collection Containers

1. **Waste Funnels and Vacuum Units** - Are available separately or as a combined assembly. Assemblies are available for almost all models of machines, and for how those machines can be mounted: top mounted, semi-submerged, or fully submerged. Assemblies consist of a waste funnel and a vacuum unit.
  - **Waste Funnels** - Available in 1", 1½", or 2" depending on size of trimmed waste. Each of our patented funnel assemblies are designed to fit close to and surround the trimming knives with vacuum which captures dust and lint as well as the trimmed waste. Funnel assemblies mount directly to the machine casting using existing screw holes, or directly to the tabletop and swing-away or snap-out to allow machine maintenance. Other waste funnels are for non-sewing uses or applications that are not listed and require a custom approach.
  - **Vacuum Units** - Vacuum units use compressed air to create vacuum for operating the system. The three categories of vacuum units are: **Chain Vacuum Units** for cut chain removal; **Waste Vacuum Units** for trimmed waste and lint removal; and **Chain & Waste Vacuum Units** for removal of chain, trimmed waste and lint. Units operate best at 80 PSI (5.5 Bar). Our patented **Chain & Waste Removal Units** recycle exhaust air from the chain vacuum unit to create a second vacuum for the removal of trim waste. Vacuum is created for two functions at the energy cost of only one. In situations where a waste only system is needed, but a chain cutter will be added later, choose a chain & waste removal system instead. Connection to a chain cutter is not necessary for the system to operate and will be more cost efficient. Waste and chain & waste units are available in 1", 1½" and 2" for various sizes of trimmed waste.
2. **Air activation switches** - A variety of switches are available for use on clutch type or electronic motors and for special applications. For clutch motors, use a Lite-Touch treadle rod air switch to activate vacuum only when the machine is sewing. For electronic motors use a Lite-Touch series treadle air switch or an electric solenoid valve which activates the vacuum only when the machine is running, beginning with the first stitch. Use the motor mounted air switch on pedestal mounted machines and Ergo stands with clutch motors. Other switches, such as foot valves, toggle switches, pilot valves, and pilot valves with time delays, are also available.
3. **Waste Collection Containers** - Receive and store waste. All waste collection containers have an inlet where waste enters, a storage area for waste to accumulate, and a filter to clean exhausted air. Two styles of collection containers are offered: waste canisters and waste bag units. Waste canisters locate next to the machine while waste bag units attach to the table top. Waste bag units are offered with features such as a trash door, tool tray, disposable poly bag or reusable fabric filter bag. Waste collection containers are available in sizes ranging up to 20 gallon capacity and come with single or double inlets to accommodate one or two machines.
4. **Accessories** - Optional products such as mufflers or machine cleaning guns.

### System Selection Checklist

#### 1. WASTE FUNNEL

- A. Machine - Manufacturer and Class.
- B. How is machine mounted? Top of table, semi-submerged, or fully-submerged. Waste funnel designs vary depending on how Machines are mounted.
- C. Size of trimmed waste - Select funnels based on the size of waste to be collected: Up to ¾" wide, use 1" or 1½" funnels • Up to 1¼" wide, use 1½" funnels • Up to 1¾" wide, use 2" funnels.
- D. Does machine have attachments? For overlock machines equipped with attachments such as bandroller, collarette, hemmer, or guides which would prevent the mounting of standard funnel assemblies, see cylinder overlock funnels.

#### VACUUM UNIT

- A. Will machine have a chain cutter? If Yes - Use chain removal assembly or chain & waste removal assembly. If No - Use waste removal only.
- B. Size of trimmed waste - Select system based on the size of waste to be collected: Up to ¾" wide, use 1" or 1½" systems • Up to 1¼" wide, use 1½" systems • Up to 1¾" wide, use 2" systems.

#### 2. AIR ACTIVATION SWITCH

- A. Type of motor (clutch or electronic)
  - Clutch motors - Use appropriate Lite-Touch treadle air switch.
  - Electronic motors - Use Lite-Touch Series treadle air switch, or for electronic motors with a motor run signal use 24 volt 2-way solenoid valve.
  - Ergo pedals with push-pull cable for clutch type motors and for pedestal mounted machines - Use TBV-121 Motor Mounted air switch.
- B. Does machine have a pneumatic foot-lift? For clutch type motors use a Lite-Touch 3-position treadle rod air switch. For electronic motors use the Lite-Touch 3-position treadle rod air switch or a 24 volt DC 3-way solenoid valve in addition to the 2-way solenoid valve used for vacuum activation.

#### 3. WASTE COLLECTION CONTAINER

Select the appropriate waste canister or bag unit which best suits requirements and application.

#### 4. ACCESSORIES

- A. Vacuum Cleaning Gun for cleaning machinery.
- B. Docking Station & Cleaning Gun for cleaning machinery.
- C. Mufflers - For near silent operation of waste removal products.